



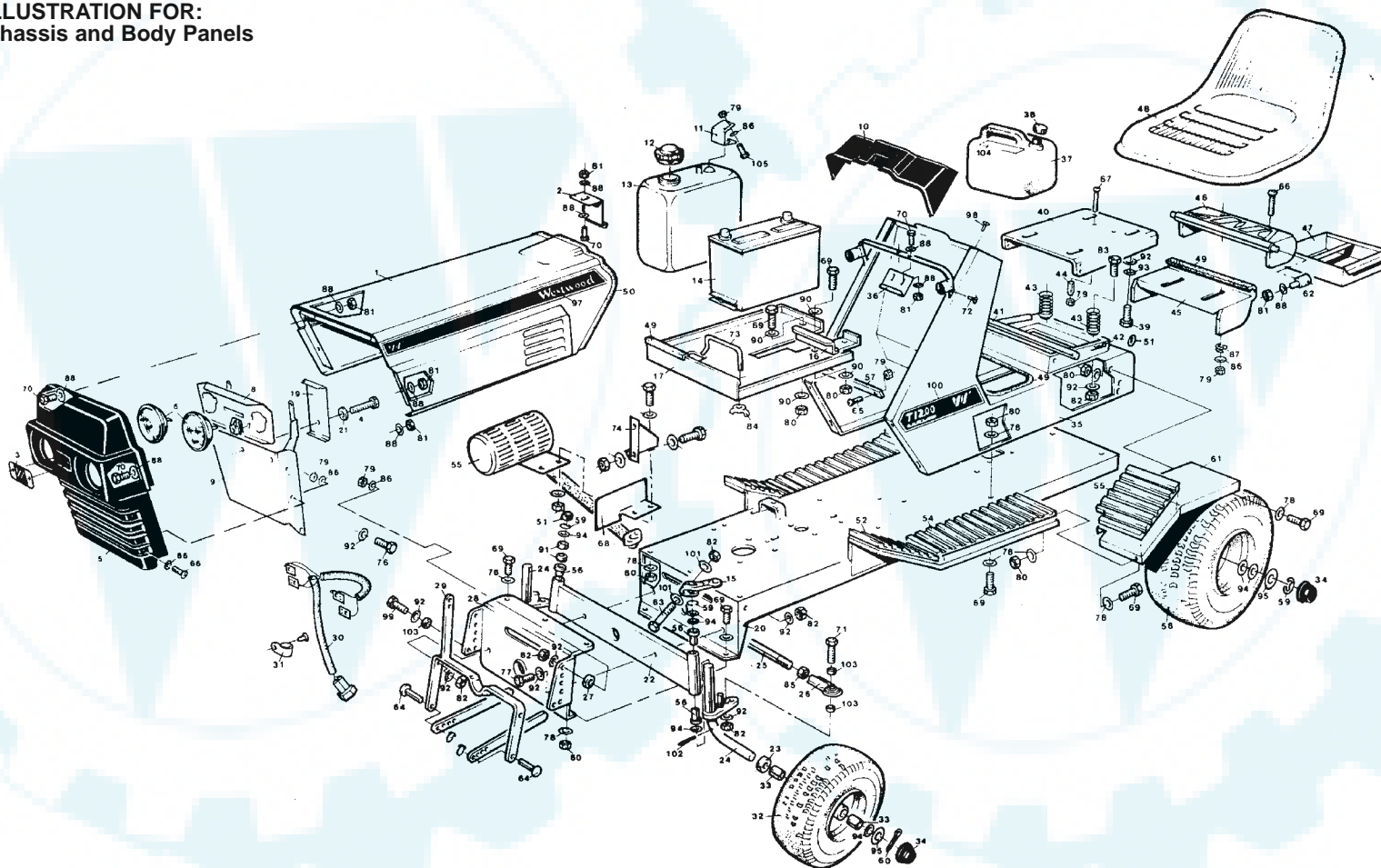
## GARDEN TRACTORS 1991 PARTS CATALOGUE

# CONTENTS

	<b>PAGE No.</b>
TRACTOR CHASSIS AND BODY PANELS	2 – 4
BONNET AND GRILLE ASSEMBLY 16 AND 18 HP MODELS ONLY	5 – 6
STEERING, GEAR CHANGE AND ELECTRICS	7 – 9
TRACTOR CHASSIS, PTO, BRAKE AND CUTTER ENGAGE CONTROLS	10 – 12
“S” SERIES – UPPER BODY, GEAR CHANGE, PTO AND CUTTER ENGAGE CONTROLS	13 – 15
HYDROSTATIC DRIVE MODELS T1250H/T1800H	16 – 18
30” SIDE DISCHARGE CUTTER DECK	19 – 20
36” STANDARD CUTTER DECK	21 – 22
42” CONTRA-ROTATING CUTTER DECK 6713	23 – 24



**PARTS ILLUSTRATION FOR:  
Tractor Chassis and Body Panels**





## PARTS LIST FOR: Tractor Chassis and Upper Body Panels

Item	Part No	Description	Qty
1	4956	Bonnet	1
	4833	Bonnet (T1600 and T1800 only)	1
	6781	Bonnet (D1200 only)	1
2	5430	Bonnet Catch	1
3	1945	Split Ring	2
4	5480	Setscrew, M8 x 30mm long	1
5	4682	Grille Plastic (Black)	1
	6445	Grille Plastic (Grey)	1
6	3727	Headlamp	2
7	4309	Nut, M8 "J" Type	1
8	6214	Headlamp Mounting Plate	1
9	5434	Grille Heat Shield	1
10	2943	Console Front (Black)	1
	6443	Console Front (Grey)	1
11	3959	Bracket, Fuel tank	1
12	3963	Cap, Fuel tank	1
13	3960	Fuel tank	1
14	1209	Battery, 12 volt Type 138	1
15	4930	Steering Arm	1
16	3411	Bracket, Battery Clamp	1
17	3416	Support Tray, Battery/Fuel Tank	1
18	3689	Nut, M5 Nyloc	1
19	6215	Headlamp Retaining Plate	1
20	4929	Chassis Bracket (Rear)	1
21	2847	Washer	1
22	2296	Axle Beam	1
	1423	Grease Nipple	2
23	1980	Wheel Spacer	2
24	6200	Stub axle, Left Hand	1
	6201	Stub Axle, Right Hand	1
25	6779	Track rod	1
26	6487	Ball Joint	2
27	3683	Spacer	2
28	4926	Chassis Bracket (Front)	1
29	5506	Hitching Bracket (36" Cutter Decks)	1

Item	Part No	Description	Qty
	3944	Hitching Bracket (42" Cutter Decks)	1
30	3512	Headlamp Wiring Harness	1
31	3716	Cable Clip	1
32	1749	Front Wheel Assembly ("S" Series)	1
	2797	Wheel Rim	1
	1163	Tyre	1
	1201	Inner Tube	1
	2796	Front Wheel Assembly ("T" Series)	1
	1541	Wheel Rim	1
	1539	Tyre	1
	1540	Inner Tube	1
33	3354	Bush, Oilite	4
34	4230	Hub Cap	4
35	2862	Body assembly	1
36	5431	Bonnet Catch	1
37	1658	Fuel Can	1
38	1659	Cap, Fuel Can	1
39	2034	Setscrew, 3/8" UNF x 3/4" long	4
40	2912	Seat Plate	1
41	2067	Pin, Seat Plate	1
42	1225	"R" Clip (Large)	1
43	2898	Seat Spring	2
44	3290	Boss, Spring Locating	2
45	3532	PTO Flap (Inner)	1
46	3660	PTO Flap (Outer)	1
47	2919	Tool Tray	1
48	5035	Seat (Black)	1
	6446	Seat (Grey)	1
49	4229	Beading	p/ft
50	4832	Seal	p/ft
51	2068	Hub Cap	1
52	5644	Foot Mats, Front (Black)	1 pr
	6480	Foot Mats, Front (Grey)	1 pr
53	5645	Foot Mats, Centre (Black)	1 pr
	6481	Foot Mats, Centre (Grey)	1 pr

Item	Part No	Description	Qty
54	5646	Foot Mats, Rear (Black)	1 pr
	6482	Foot Mats, Rear (Grey)	1 pr
55	6183	Muffler (12 1/2 HP Kohler only)	
56	3355	Flanged Bush, Delryn 500	4
57		not allocated	
58	1746	Rear Wheel Assembly ("S" Series)	2
	1662	Wheel Rim	2
	1747	Tyre	2
	1748	Inner Tube	2
	1586	Rear Wheel Assembly ("T" Series)	2
	1662	Wheel Rim	2
	1587	Tyre	2
	1588	Inner Tube	2
59	1663	"E" Clip (AM1500-75)	4
60	1227	Split Pin, 1/8" dia. x 1 3/4" long	2
61	5442	Mudguard, Left Hand	1
	5443	Mudguard, Right Hand	1
62	3516	Hinge Pin	2
63	1267	Bolt, 3/8" UNF x 2 1/2" long	1
64	1731	Pin, Hitch Mounting	2
65	1734	Machine Screw, 2BA x 1/2" long	3
66	1735	Machine Screw, 2BA x 3/4" long	6
67	4215	Machine Screw, 2BA x 1 1/4" long	2
68	6615	Heat Shield (12 1/2 HP Kohler only)	1
69	1982	Setscrew, 5/16" UNF x 3/4" long	22
70	1156	Setscrew, 1/4" UNF x 3/4" long	10
71	1997	Bolt, 3/8" UNF x 1 3/4" long	2
72	5637	Screw, Self Tapping No. 6 x 3/8" long	2
73	6204	Battery Retaining Bar	1
74	4850	Mounting Bracket (12 1/2 Kohler only)	1
75		not allocated	
76	1054	Bolt, 3/8" UNF x 1 1/2" long	1
77	1200	Bolt, 3/8" UNF x 2 1/4" long	2
78	1105	Washer, 5/16" dia. (T3L)	24
79	1053	Nut, 2BA Nyloc	37

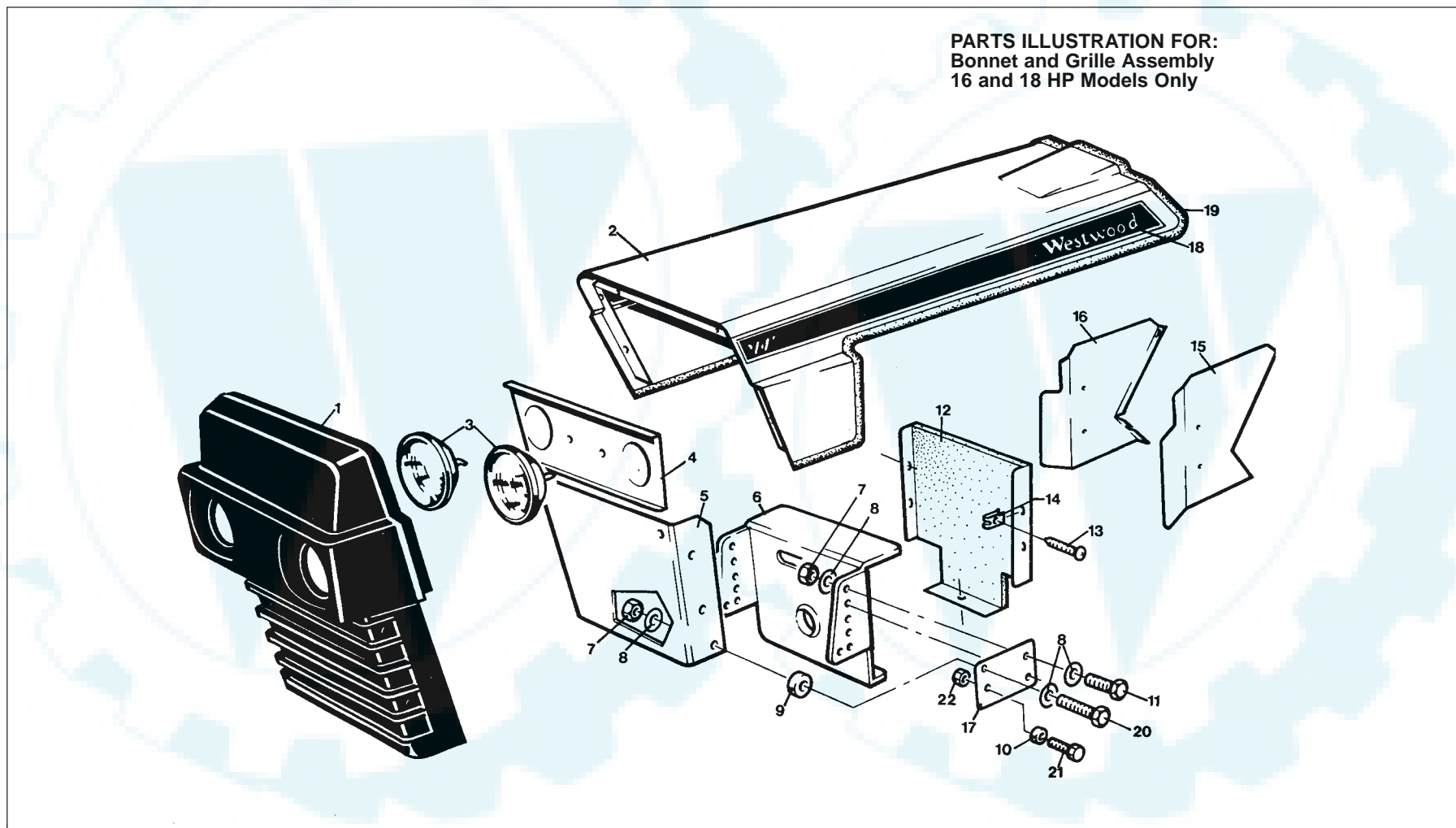


## PARTS LIST FOR: Tractor Chassis and Upper Body Panels

Item	Part No	Description	Qty
80	1273	Nut, 5/16" UNF Nyloc	83
81	1270	Nut, 1/4" UNF Nyloc	9
82	1324	Nut, 3/8" UNF Nyloc	36
83	2015	Setscrew, 3/8" UNF x 1" long	2
84	6205	Wiring Nut, 1/4" UNC	1
85	3792	Locknut, 3/8" UNF	2
86	1962	Washer, 2BA	15
87	3799	Washer, 1/4" dia. Coil Spring	2
88	1331	Washer, 1/4" dia, (T3L)	20
89	3947	Washer, 3/16" id x 1" od	1
90	1105	Washer, 5/16" dia. (T3L)	4
91	5479	Spacer, Stub Axle	2
92	1323	Washer, 3/8" dia. (T3L)	20
93	1633	Washer, 3/8" dia. Shakeproof	4
94	3712	Washer, Shim 20g	14
	3713	Washer, Shim 16g	8
95	3908	Washer, Hub Cap	6
96	4973	Logo "Westwood"	1
	5410	Logo "Laser"	1
	6376	Logo "Mountfield"	1
97	4970	Logo "Westwood" Left Hand	1
	4971	Logo "Westwood" Right Hand	1
	4835	Logo "Laser" Left Hand	1
	4836	Logo "Laser" Right Hand	1
	6408	Logo "Mountfield" Left Hand	2
	6433	Logo "Mountfield" Right Hand	2
98	1629	Screw, Self Tapping No. 6	2
99	1948	Setscrew, 3/8" UNF x 1 1/4" long	2
100	4974	Logo, "T1200" Left Hand	1
	4975	Logo, "T1200" Right Hand	1
	4984	Logo, "T1600" Left Hand	1
	4985	Logo, "T1600" Right Hand	1
	4897	Logo, "T1800" Left Hand	1
	4898	Logo, "T1800" Right Hand	1
	4837	Logo, "Laser L80" Left Hand	1

Item	Part No	Description	Qty
	4838	Logo, "Laser L80" Right Hand	1
	4839	Logo, "Laser L95" Left Hand	1
	4840	Logo, "Laser L95" Right Hand	1
	4841	Logo, "Laser L110" Left Hand	1
	4842	Logo, "Laser L110" Right Hand	1
	4843	Logo, "Laser L120" Left Hand	1
	4844	Logo, "Laser L120" Right Hand	1
	6371	Logo, "Mountfield 11/30" Left Hand	1
	6372	Logo, "Mountfield 11/30" Right Hand	1
	6436	Logo, "Mountfield 11/36" Left Hand	1
	6437	Logo, "Mountfield 11/36" Right Hand	1
	6434	Logo, "Mountfield 16/42" Left Hand	1
	6435	Logo, "Mountfield 16/42" Right Hand	1
101	2847	Washer	2
102	1553	Roll Pin, 1/8" dia. x 1 1/2" long	2
103	1680	Spacer	2
104	3440	Label "Safety First"	1
105	4659	Bolt, M5 x 16 mm long	1

Item	Part No	Description	Qty
------	---------	-------------	-----





**PARTS LIST FOR:**  
**Bonnet and Grille Assembly – 16 and 18 HP Models only**

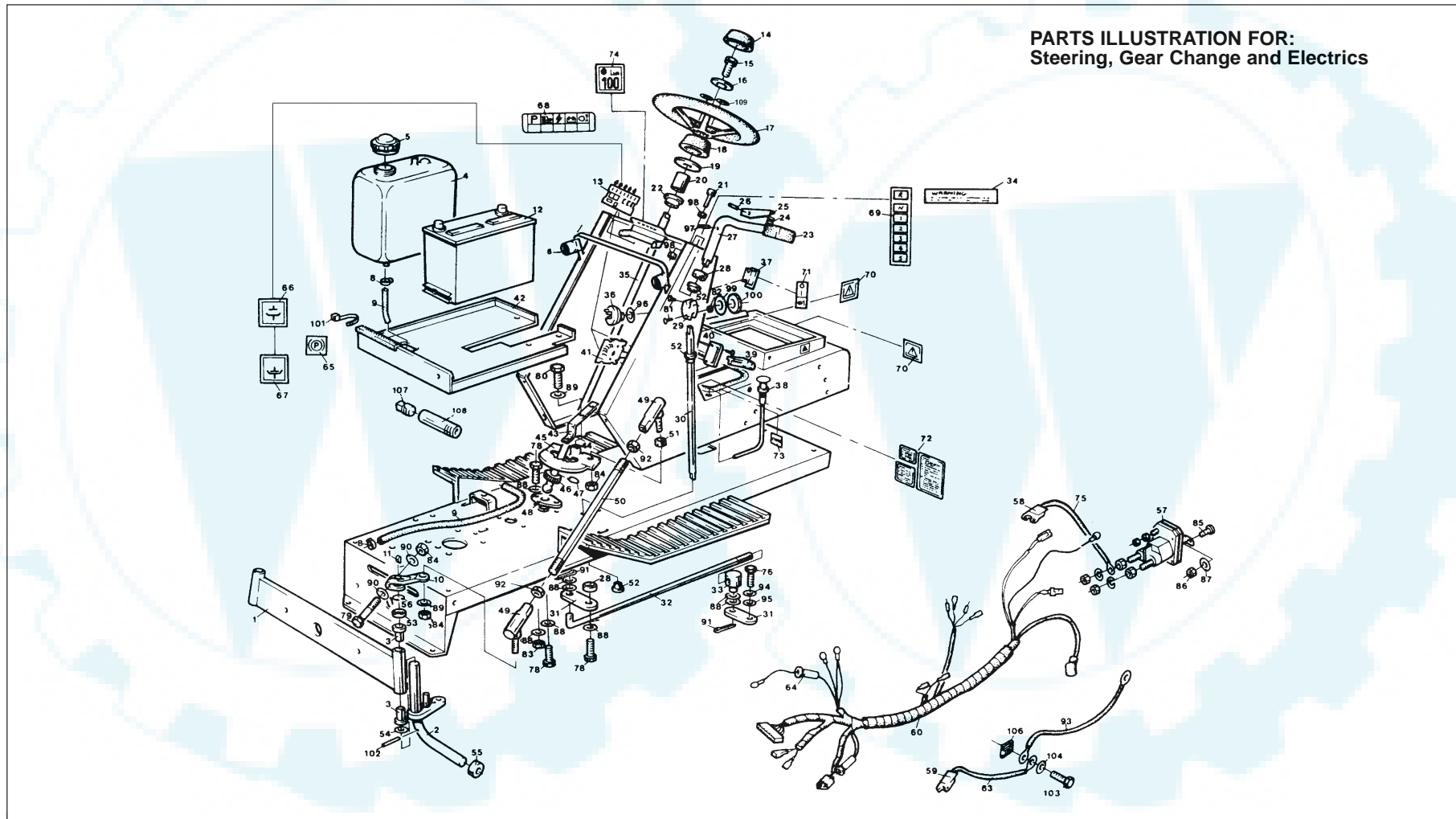
Item	Part No	Description	Qty
1	4682	Grille, Black Plastic	1
	6445	Grille, Grey Plastic	1
2	4833	Bonnet assembly	1
3	3727	Headlights	2
4	6214	Headlight Mounting Plate	1
5	5434	Grille Heatshield	1
6	4926	Chassis Front, Forward	1
7	1324	Nut, 3/8" UNF Nyloc	6
8	1323	Washer, 3/8" (T3L)	12
9	3683	Spacer	2
10	3397	Spacer	2
11	2015	Setscrew, 3/8" UNF x 1"	4
12	4869	Back Plate	1
13	1338	Screw Self Tapping No. 12 x 1"	4
14	4118	Nut, 'J' Type No. 12	4
15	4867	Side Panel, Left Hand	1
16	4868	Side Panel, Right Hand	1
17	4846	Pivot Plate	2
18	4976	Logo, Westwood Left Hand	1
	4977	Logo, Westwood Right Hand	1
	4836	Logo, Laser LH	1
	4835	Logo, Laser RH	1
	6408	Logo, "Mountfield"	2
	6433	Logo, "Honda"	2
19	4229	Beading	p/ft
20	3610	Setscrew, 3/8" UNF x 1.5"	2
21	1982	Setscrew, 5/16" UNF x 3/4"	2
22	1273	Nut, 1/4" UNF Nyloc	2

**Note:**

1. For Grille to Bonnet Attachments, see parts illustration on Page 2.
2. T1600 Upper Heat Shield, Part No. 4864 not illustrated.

Item	Part No	Description	Qty

Item	Part No	Description	Qty





## PARTS LIST FOR: Steering, Gear Change and Electrics

Item	Part No	Description	Qty
1	2296	Axle Beam	1
2	6200	Stub Axle, Left Hand	1
	6201	Stub Axle, Right Hand	1
3	3355	Bush, Flanged (Delryn 500)	4
4	3960	Fuel Tank	1
5	3963	Cap, Fuel Tank	1
6	4148	Grommet	1
7	6107	Steering Limit Stop	2
8	3940	Snapper Clip No. 6	6
9	3859	Fuel Pipe	As req
10	4930	Steering Arm	1
11	1098	Woodruff Key No. 608	1
12	1209	Battery, Type 138	1
13	3587	Printed Circuit Board (PCB)	1
	5484	Printed Circuit Board (Kohler 12 1/2 & 18 HP engines only)	1
14	5425	Cover, Steering Wheel	1
15	1334	Bolt, 5/16" UNF x 3/4" long	1
16	4808	Washer, Hardened	1
17	3946	Steering Wheel (Black)	1
	6447	Steering Wheel (Grey)	1
18	5426	Shroud, Steering Wheel	1
19	4771	Washer	1
20	4770	Spacer, Steering Column	1
21	5599	Socket screw, 1/4" UNF x 1 1/4" long	1
22	3539	Bush, Steering Column	1
23	2649	Knob	1
24	2925	Spring	1
25	2884	Latch, Gear Lever	1
26	1457	Roll Pin, 1/8" dia. x 3/4" long	2
27	2881	Gear Lever, Upper	1
28	3582	Spacer, Gear Lever Lower	1
29	2883	Knuckle, Gear Change	1
30	2882	Gear Lever, Lower	2
31	4718	Lever, Gear Change	1

Item	Part No	Description	Qty
32	4719	Rod, Gear Change	1
33	1694	Swivel	1
34	6661	Label – Gear Change Warning	1
35	3475	Steering Column	1
36	2703	Ignition Switch	1
	2066	Key	1
	5600	Bezel	1
37	3561	Switch, Headlights	1
38	3559	Choke Control, 16 & 18 HP engines only	1
39	2010	Knob, Throttle	1
40	4144	Throttle Plate (B & S 8, 10, 11 12 HP)	1
	4145	Throttle Plate (Kohler 18 HP)	1
	4146	Throttle Plate (Kohler 12 1/2 HP)	1
	4216	Throttle Plate (B & S 16HP & Diesel)	1
41	1507	Throttle Control	1
	5482	Throttle Control (Kohler 12 1/2 HP only)	1
	1808	Throttle Control (B & S 16 HP only)	1
	5444	Throttle Control (Kohler 18 HP only)	1
	6704	Throttle Control (Ruggerini)	1
42	3416	Support Tray, Battery/Tank	1
43	3401	Bridge, Steering Quadrant	1
44	3400	Bush, Steering Quadrant	1
45	3403	Steering Quadrant	1
	1473	Grease Nipple	1
46	2276	Steering Gear	1
	1104	Woodruff Key	1
47	2589	"E" Clip (AM1500-62)	2
48	1699	Steering Column Base	1
49	6515	Ball Joint, LH Thread	2
	6487	Ball Joint, RH Thread	2
50	6777	Drag Link	1
	5485	Drag Link (Kohler 12 1/2 HP only)	1
51	1680	Spacer	2
52	3541	Bush, Gear change Lever	3

Item	Part No	Description	Qty
53	5479	Spacer	2
54	3712	Washer, Shim 20g	As req
	3713	Washer, Shim 16g	As req
55	1980	Spacer	2
56	1663	"E" Clip (AM1500-75)	4
57	1530	Solenoid	1
58	2090	Battery Connector – Red	1
59	2091	Battery Connector – Blue	1
60	3457	Wiring loom – B&S 8, 10, 16HP engines	1
	4717	Wiring loom – B&S 11 HP engine only	1
	5855	Wiring loom – Kohler engines only	1
	6453	Wiring loom – B&S 12 HP engine only	1
	6756	Wiring loom – Ruggerini Diesel only	1
61	3117	Spacer	1
62	2021	Machine Screw, 4BA x 1/2" long	2
63	3678	Earth Lead, Battery	1
64	6790	Fuse Holder	1
	6789	Fuse, 10 amp anti surge	1
	5616	Fuse, 20 amp – Kohler engines	1
65	3437	Label, Park Brake	1
66	3436	Label, Cutter Disengage	1
67	3435	Label, Cutter Engage	1
68	3956	Label, Indicator Lights	1
69	3484	Label, Gear Change	1
70	4967	Label, Headlights	1
71	3431	Label, Headlight Switch	1
72	4969	Label, Operating Instruction	1
73	3605	Label, Choke – 16 & 18 HP engines	1
74	4972	Label, EEC Noise	1
75	1814	Battery Positive Lead	1
76	1156	Setscrew, 1/4" UNF x 3/4" long	3
77	1997	Bolt, 3/8" UNF x 1 3/4" long	4
78	1982	Setscrew, 5/16" UNF x 3/4" long	3
79	1267	Bolt, 3/8" UNF x 2 1/2" long	4



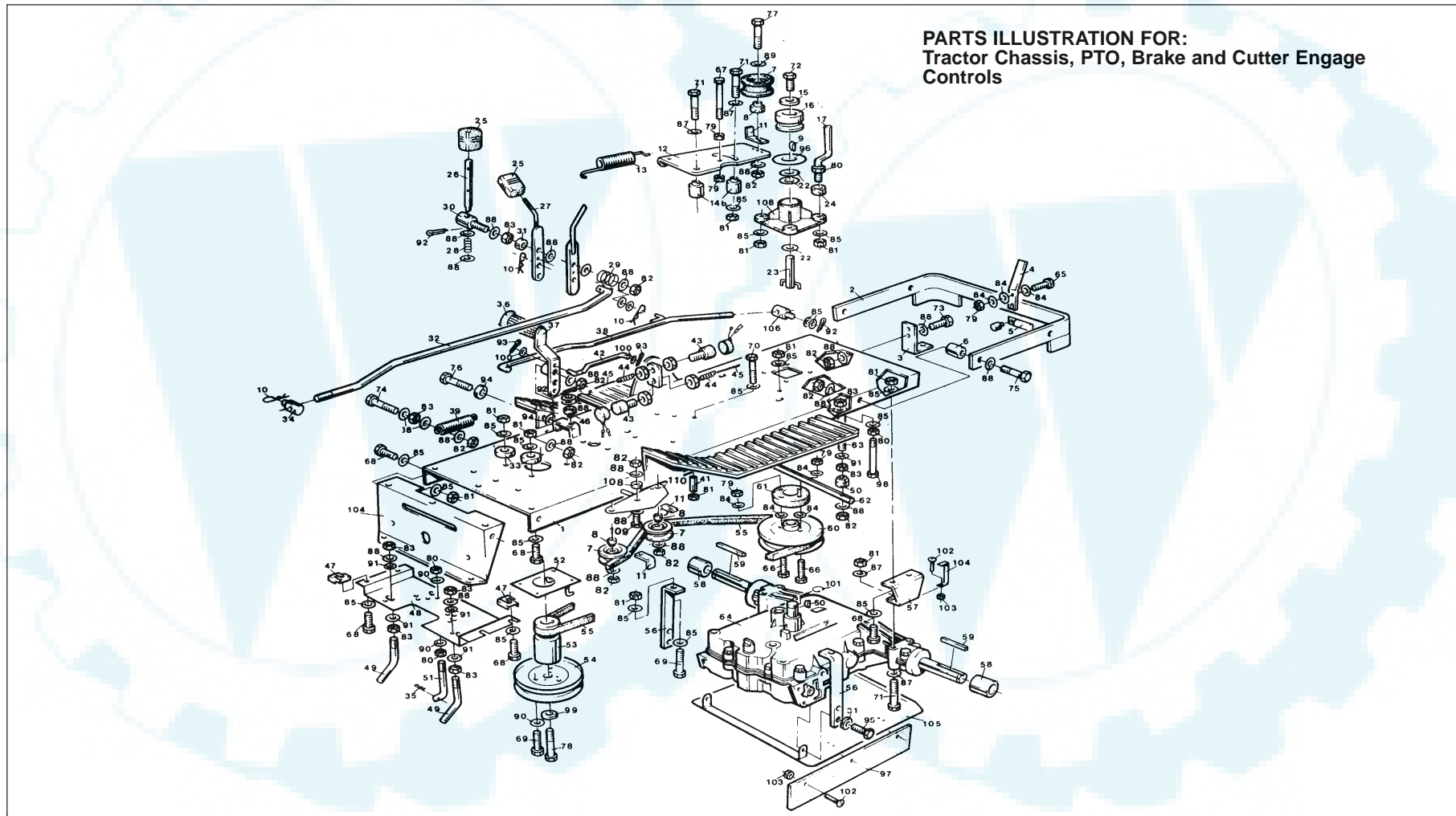


**PARTS LIST FOR:**  
Steering, Gear Change and Electrics

Item	Part No	Description	Qty
80	2025	Bolt, 3/8" UNF x 2" long	1
81	3688	Setscrew, M5 x 25 mm long	2
82	3689	Nut, M5 Nyloc	2
83	1273	Nut, 5/16" UNF Nyloc	3
84	1324	Nut, 3/8" UNF Nyloc	4
85	4809	Spacer, Gear Change Upper	1
86	1053	Nut, 2BA Nyloc	3
87	1962	Washer, 2BA	6
88	1105	Washer, 5/16" dia.	18
89	4124	Washer, 3/8" dia.	1
90	2847	25/64" ID x 7/8" OD	2
91	1233	Split Pin, 1/8" dia. x 3/4" long	3
92	3792	Locknut, 3/8" UNF	2
93	3460	Earth Lead, Solenoid	1
94	1331	Washer, 1/4" dia.	2
95	4242	Washer, Special	1
96	2049	Washer, 5/8" Shakeproof	1
97	2050	Roll Pin, 1/8" dia. x 1" long	2
98	1270	Nut, 1/4" UNF Nyloc	2
99	6523	Washer, 5/8" ID x 1" OD	1
100	2065	Nut, Ignition Switch	1
101	2080	Loom Tie	1
102	1553	Roll Pin, 1/8" dia. x 1 1/2" long	2
103	5840	Setscrew, M8 x 30mm long	1
104	4180	Washer, M8	2
105	2044	Nut, M8 Nyloc	1
106	4309	Nut "J" Type	1
107	3742	Drain Plug	1
108	6172	Oil Drain Tube (12 1/2 & 16 HP engines)1	
	6173	Oil Drain Tube (8, 11, 12 HP engines)	1
	6174	Oil Drain Tube (18 HP engine)	1
109	2840	Washer	2

Item	Part No	Description	Qty
------	---------	-------------	-----

Item	Part No	Description	Qty
------	---------	-------------	-----



**PARTS ILLUSTRATION FOR:**  
Tractor Chassis, PTO, Brake and Cutter Engage Controls



## PARTS LIST FOR: Tractor Chassis, PTO, Brake and Cutter Engage Controls

Item	Part No	Description	Qty
1	4927	Chassis	1
	6687	Chassis, "S" Series only	1
2	4963	Accessory Mounting Frame	1
3	2246	Tow Hitch	1
4	3478	Lever	2
5	3682	Latch Pin	2
6	3117	Pivot Bush	3
7	5822	Jockey Pulley	3
8	5478	Shouldered Spacer (Jockey Pulley)	3
9	3728	Woodruff Key No. 806	1
10	4086	"R" Clip (small)	3
11	5477	Belt Guide (Jockey Pulley)	3
12	2786	Jockey Plate	1
13	2791	Spring, Jockey Plate	1
14	6452	Shouldered Spacer (Jockey Plate)	2
15	1006	Washer, Hardened Domed	1
16	4337	Pulley, PTO Drive	1
17	6662	Belt Guide, PTO	1
18	4245	Bearing Spacer	1
19		Not Allocated	
20		Not Allocated	
21		Not Allocated	
22	5720	Washer, ("T" Series only)	1
	4246	Spacer, ("S" Series only)	1
23	4251	Shaft, PTO Drive (S1200 only)	1
	4252	Shaft, PTO Drive	1
24	3748	Spacer	4
25	2648	Knob	2
26	2643	Park Brake Plunger	1
27	2644	Lever, Cutter Engage	1
	6360	Lever, PTO Engage (not shown)	1
28	2003	Spring, Park Brake	1
29	1613	Spring, Engage Levers	1
30	2302	Pivot Boss	1
31	3683	Spacer	5

Item	Part No	Description	Qty
32	4340	Rod, Cutter Engage	1
	6217	Rod, Cutter Engage (18HP Kohler)	1
33	2351	Spacer, 1/2"	4
	4893	Spacer, 1" (Honda only)	1
	5445	Engine Mounting Plate, Front (Ruggerini & Kohler 18HP engines)	1
	5446	Engine Mounting Plate, Rear (Ruggerini & Kohler 18HP engines)	1
34	1695	Swivel, Engage Rod	1
35	1225	'R' Clip	1
36	2009	Foot Pedal Rubber	1
37	6082	Foot Pedal Arm	1
38	1710	Rod, Brake Operating	1
	6401	Rod, Brake Operating ("S" Series)	1
39	2103	Spring, Clutch	1
40		Not Allocated	
41	3528	Spacer, Gear Stop	1
42	3405	Rod, Brake Safety Switch	1
43	3414	Switch, Safety	2
44	3463	Spring, Tension	2
45	2592	Chain	2
46		Not Allocated	
47	4309	Nut, M8 Captive	5
48	4255	Plate, Belt Guide	1
49	4256	Belt Guide	2
50	4328	Spacer, Hanger Bar	1
51	2319	Pin, Retaining	1
52	3467	Belt Guide	1
	3469	Belt Guide, (16, 18hp & Diesel only)	1
53	6442	Engine Pulley Block	1
	1602	Drive Key	1
	4815	Drive Key ("S" Series only)	1
54	1558	Pulley, Cutter Drive	1
	3750	Pulley, Cutter Drive (30" Decks)	1
55	1688	Belt, Transmission (42-5654)	1

Item	Part No	Description	Qty
56	2831	Bracket, Transaxle Front	2
57	3482	Bracket, Rear, ("T" Series only)	2
	3483	Bracket, Rear, ("S" Series only)	2
58	1715	Spacer, Rear Wheel	2
59	1664	Drive Key (Rear Wheels)	2
60	3392	Pulley, Transaxle	1
	3395	Pulley, Transaxle (16HP, 18HP and Ruggerini only)	1
	1104	Woodruff Key, No. 606	1
61	3391	Flexible Coupling, PTO	1
	3606	Spacers	2
62	3991	Hanger Bar	1
63	3992	Support, Hanger Bar	2
64	2018	Transaxle, Peerless Type 832	1
	2019	Transaxle, Peerless Type 801-030	1
	2356	Brake Arm Extension	1
65	1159	Setscrew, 1/4" UNF x 3/4" long	2
66	2022	Bolt, 1/4" UNF x 1 1/4" long	2
67	2296	Bolt, 1/4" UNF x 2 1/2" long	1
68	1982	Setscrew, 5/16" UNF x 3/4" long	8
69	2031	Setscrew, 5/16" UNF x 1" long	5
70	1321	Bolt, 5/16" UNF x 1 1/2" long	4
71	1978	Bolt, 5/16" UNF x 2 1/2" long	6
72	1051	Setscrew, 3/8" UNF x 1" long Nyloc	1
73	2015	Setscrew, 3/8" UNF x 1" long	1
74	1948	Setscrew, 3/8" UNF x 1 1/4" long	1
75	1054	Bolt, 3/8" UNF x 1 1/2" long	2
76	1267	Bolt, 3/8" UNF x 2 1/2" long	1
77	1319	Bolt, 3/8" UNF x 2" long	3
78	3755	Bolt, 7/16" UNF x 3 1/2" long	1
	4342	Bolt, 7/16" UNF x 4 1/2" long (Honda)	1
	6202	Bolt, 3/8" UNF x 3" long (S1000)	1
79	1270	Nut, 1/4" UNF Nyloc	6
80	2040	Nut, 5/16" UNF Plain	4
81	1273	Nut, 5/16" UNF Nyloc	16

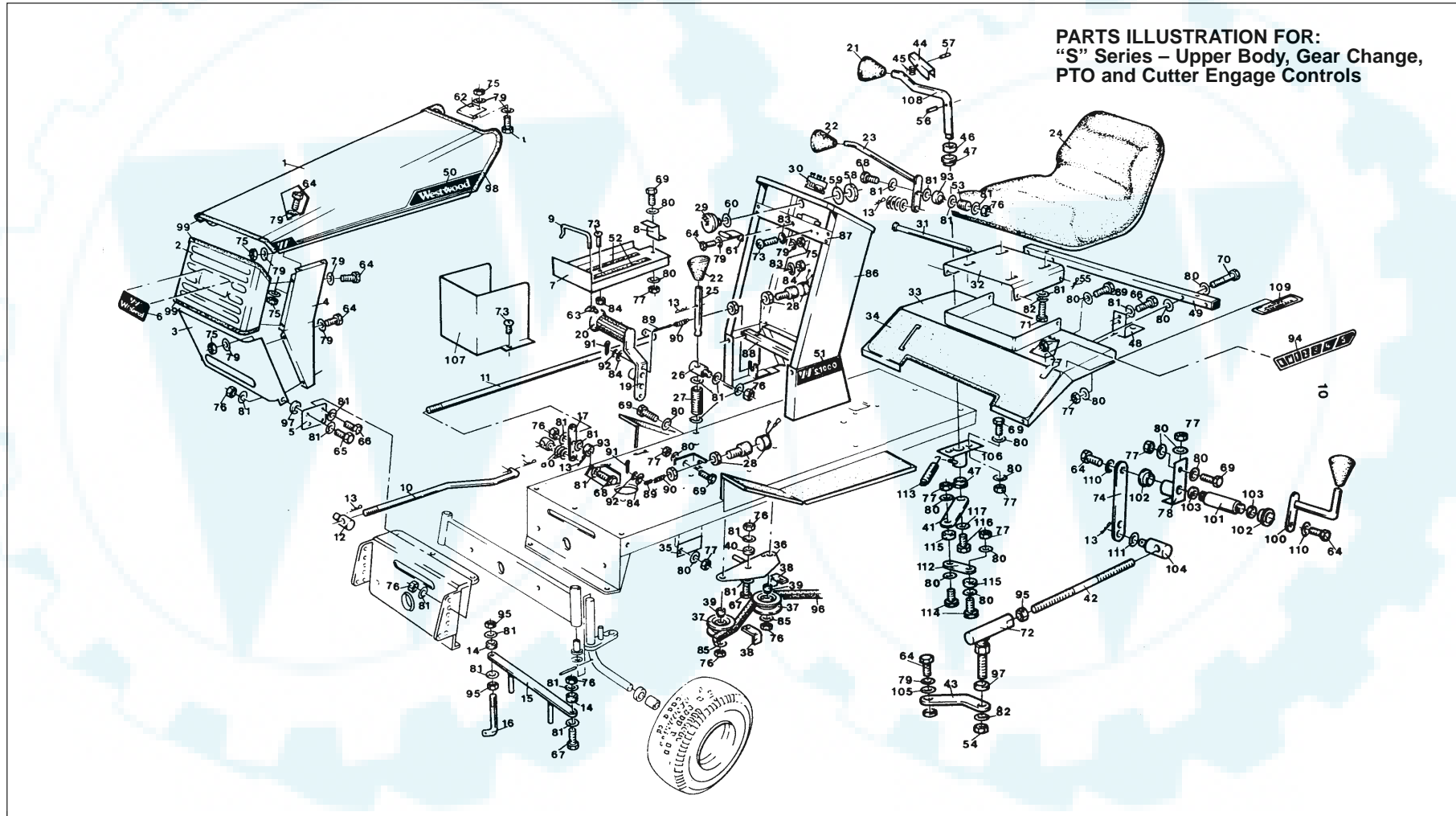


### PARTS LIST FOR: Tractor Chassis, PTO, Brake and Cutter Controls

Item	Part No	Description	Qty
82	1324	Nut, 3/8" UNF Nyloc	8
83	3792	Nut, 3/8" UNF Plain	10
84	1331	Washer, 1/4" dia. (T3L)	7
85	1105	Washer, 5/16" dia. (T3L)	30
86		Not Allocated	
87	3613	Washer, 5/16" dia. (T5L)	15
88	1323	Washer, 3/8" dia. (T3L)	13
89	2847	Washer, Jockey Pulley	3
90	2048	Washer, 5/16" Shakeproof	5
91	1633	Washer, 3/8" Shakeproof	8
92	1233	Split Pin, 1/8" dia. x 3/4" long	5
93	4192	Split Pin, 3/32" dia. x 1/2" long	2
94	4124	Washer, 1" od x 3/8" id	2
95	3845	Bolt, 5/16" UNF x 3/4" long (Taprite)	4
96	4308	Disc, PTO Drive Belt Support	1
97	3324	Deflector Rubber	1
98	1312	Bolt, 5/16" UNF x 3" long	1
	6662	Belt Guide, ("S" Series only)	2
99	6536	Washer, Engine Pulley	2
	6535	Washer, Engine Pulley (Kohler)	4
100	1962	Washer, 2BA	1
101	4204	Circlip, 5/8" dia.	5
102	1734	Machine Screw, 2BA x 1/2" long	5
103	1053	Nut, 2BA Nyloc	1
104	4929	Chassis Front, Rear	1
105	4858	Grass Deflector Assembly	1
106	1694	Swivel	1
107	4818	Bearing Housing, c/w Bearings	1
	1180	Bearings, NSK6205RS	1
108	6159	Bush, Jockey Plate	1
109	3610	Setscrew, 3/8" UNF x 1 1/2" long	2
110	6161	Jockey Plate	1

Item	Part No	Description	Qty
------	---------	-------------	-----

Item	Part No	Description	Qty
------	---------	-------------	-----



**PARTS ILLUSTRATION FOR:**  
**“S” Series – Upper Body, Gear Change,**  
**PTO and Cutter Engage Controls**



## PARTS LIST FOR: “S” Series – Upper Body Panels, Gear Change, PTO and Cutter Engage Controls

Item	Part No	Description	Qty
1	6651	Bonnet	1
2	6652	Grille, Upper	1
3	6653	Grille, Lower	1
4	6654	Grille Side, LH	1
	6655	Grille Side, RH	1
5	4846	Pivot Plate, Bonnet	1
6	4973	Westwood Logo, Grille	1
	6376	Mountfield Logo, Grille	1
7	6388	Battery Tray	1
8	6389	Battery Clamp	1
9	6204	Battery Retaining Bar	1
10	6395	Engage Rod, Short	1
11	6396	Engage Rod, Long	1
12	1695	Swivel, Engage Rod	2
13	4086	'R' Clip, Small	4
14	4372	Spacer	1
15	3746	Belt Guide Assembly	1
16	3743	Retaining Pin (30" Cutter Only)	1
17	6397	Link, Engage Rods	1
18	1694	Swivel	1
19	6082	Foot Pedal Assembly	1
20	2009	Foot Pedal Rubber	1
21	2649	Knob, 1/2"	2
22	2648	Knob, 3/8"	2
23	6400	Lever, Engage Control	1
24	5035	Seat	1
25	2643	Park Brake Plunger	1
26	6438	Lock Bolt, Park Brake	2
27	2003	Spring, Compression	1
28	3414	Switch, Safety	2
29	2703	Switch, Ignition	1
	2066	Ignition Key	1
30	3587	Printed Circuit Board	1
31	6646	Pin, Seat Retaining	2
32	6642	Seat Plate	1

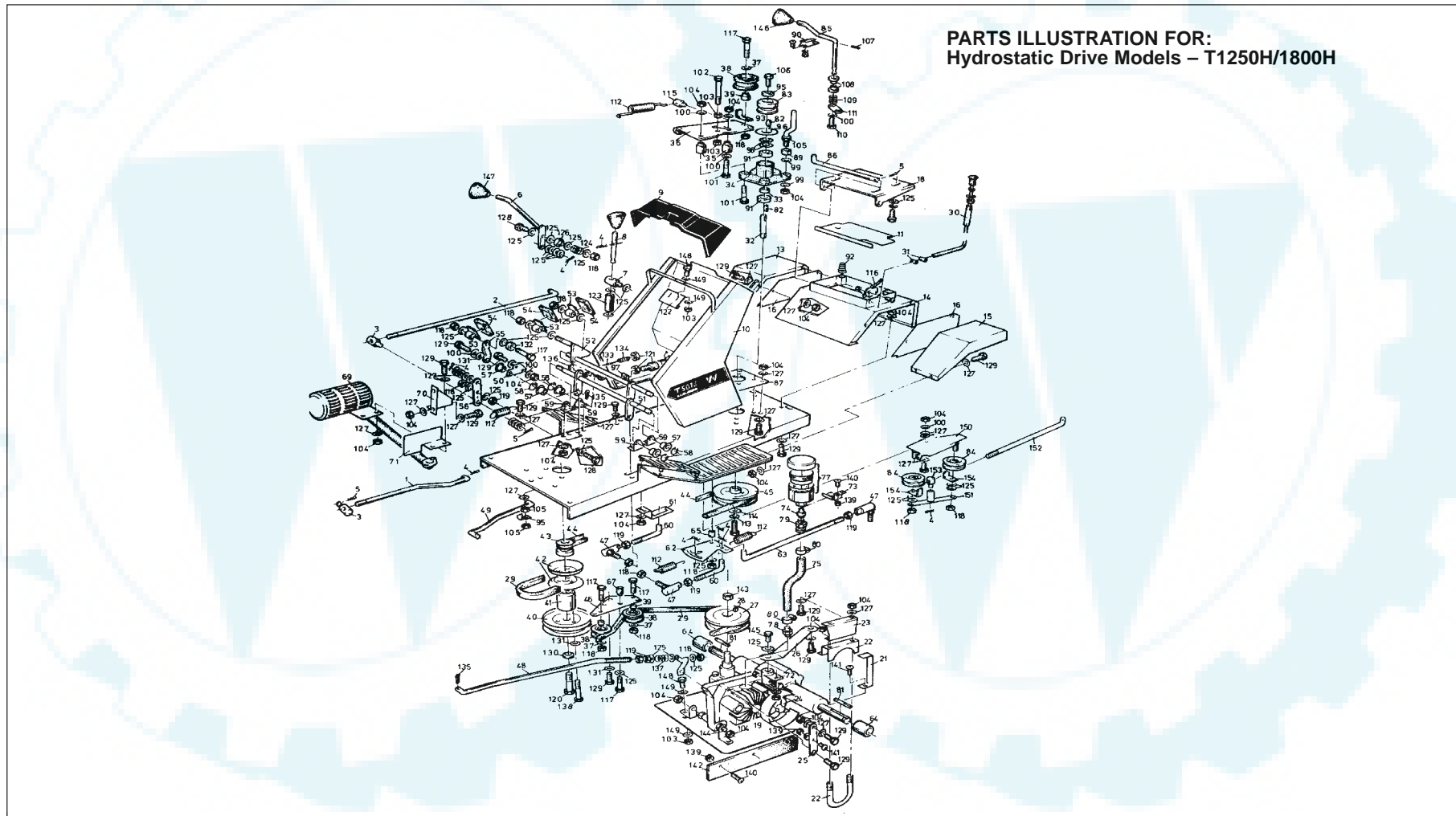
Item	Part No	Description	Qty
33	6637	Mudguard, Left Hand	1
	6638	Mudguard, Right hand	1
	6648	Centre Body Assembly	1
34	6306	Flextrud	a/r
35	6439	Shield, Brake Pin	1
36	6161	Jockey Plate	1
37	5822	Jockey Pulley	2
38	5477	Belt Guide	2
39	5478	Bush, Jockey Pulley	2
40	6159	Bush, Jockey Plate	1
41	4718	Plate, Gear Lever	2
42	6625	Rod, Gear Change	1
43	6624	Lever Cranked, Gear Change	1
44	2884	Latch, Gear Lever	1
45	2925	Spring, Compression	1
46	4809	Spacer	1
47	3541	Bush, Gear Lever	2
48	2246	Tow Hitch	1
49	3933	Mounting Bar	1
	6364	Logo, Westwood Bonnet LH	1
	6365	Logo, Westwood Bonnet RH	1
	6408	Logo, Westwood Bonnet L & R	2
51	6668	Label, S800 LH	1
	6669	Label, S800 RH	1
	6361	Label, S1000 LH	1
	6362	Label, S1000 RH	1
	6663	Label, MS1000 LH	1
	6664	Label, MS1000 RH	1
	6731	Label, MS1100 LH	1
	6732	Label, MS1100 RH	1
	6597	Label, S1200 LH	1
	6598	Label, S1200 RH	1
	6665	Label, MS1200 LH	1
	6666	Label, MS1200 RH	1
52	9003	Foam Strip	2

Item	Part No	Description	Qty
53	1613	Spring, Compression	1
54	1979	Half Nut, 3/8" UNF	1
55	1225	'R' Clip, Large	4
56	2050	Roll Pin, 1/8" x 7/8" long	1
57	1457	Roll Pin, 1/8" x 3/4" long	1
58	2065	Nut, Ignition Switch	1
59	6523	Washer, 1" x 5/8"	1
60	2049	Washer, 5/8" Shakeproof	1
61	5431	Catch Plate, Chassis	1
62	5430	Catch Plate, Bonnet	1
63	6205	Wing Nut, 1/4" UNC	1
64	1156	Setscrew, 1/4" UNF x 3/4" long	19
65	1054	Bolt, 3/8" UNF x 1 1/2" long	2
66	2015	Setscrew, 3/8" UNF x 1" long	6
67	3610	Setscrew, 3/8" UNF x 1 1/2" long	1
68	1948	Setscrew, 3/8" UNF x 1 1/4" long	5
69	1982	Setscrew, 5/16" UNF x 3/4" long	27
70	1266	Bolt, 5/16" UNF x 1 3/4" long	2
71	2034	Setscrew, 3/8" UNF x 3/4" long	4
72	6487	Ball Joint	1
73	1734	Machine Screw, 2BA x 1/2" long	1
74	6627	Link Plate, Gear Change	1
75	1270	Nut, 1/4" UNF Nyloc	20
76	1324	Nut, 3/8" UNF Nyloc	33
77	1273	Nut, 5/16" UNF Nyloc	54
78	6630	Bracket, Gear Lever	1
79	1331	Washer, 1/4" T3L	6
80	1105	Washer, 5/16" T3L	28
81	1323	Washer, 3/8" T3L	63
82	1633	Washer, 3/8" Shakeproof	8
83	1982	Washer, 2BA T1	4
84	1053	Nut, 2BA Nyloc	2
85	2847	Washer, Jockey Pulley	3
86	6386	Console Assembly	1
87	6392	Console Bracket	1



### PARTS LIST FOR: “S” Series Upper Body Panels, Gear Change, PTO and Cutter Engage Controls

Item	Part No	Description	Qty	Item	Part No	Description	Qty	Item	Part No	Description	Qty
88	6387	Battery Tray Support	1								
89	2592	Chain	2								
90	3463	Spring, Tension	2								
91	1233	Split Pin, 1/8" x 3/4" long	3								
92	1067	Washer, 4BA T1	5								
93	3146	Spacer, Engage Lever	1								
94	3484	Label, Gear Change	1								
95	3792	Locknut, 3/8" UNF	11								
96	1688	Belt, Transmission, Dayco 42 -5654	1								
97	3683	Spacer, Bonnet Pivot	7								
98	4832	Trim, Baines DX 77	As req								
99	6305	Trim, Baines No. 694	As req								
100	6633	Gear Lever	1								
101	6628	Pivot Shaft	1								
102	6632	Spindle Housing	1								
103	3539	Bush, Flanged Nylon	2								
104	6626	Swivel	1								
105	4242	Washer	1								
106	6622	PTO Lever Housing	1								
107	6699	Battery Cover	1								
108	6647	PTO Lever	1								
109	6667	Warning Label, Gear Change	1								
110	4122	Washer, 1/4" dia. (T4HP)	12								
111	6125	Washer, M10 (Form C)	2								
112	6618	Link Plate	1								
113	M4027	Spring	1								
114	1335	Bolt, 5/16" UNF x 1 1/4" long	3								
115	6623	Bush	2								
116	2031	Setscrew, 5/16" UNF x 1" long	6								
117	1970	Washer, 5/16" dia. (T4HP)	8								



**PARTS ILLUSTRATION FOR:**  
**Hydrostatic Drive Models – T1250H/1800H**





## PARTS LIST FOR: Hydrostatic Drive Models T1250H/T1800H

Item	Part No	Description	Qty
1	6395	Engage Rod, short	1
2	6396	Engage rod, long	1
3	1695	Swivel	2
4	4086	"R" Clip, small	4
5	1225	"R" Clip, large	2
6	6400	Engage lever	1
7	6438	Locking bolt, park brake	1
8	2643	Plunger, park brake	1
9	2943	Console front, plastic	1
10	6802	Console body	1
11	6928	Tool Tray	1
12	6923	Chassis	1
13	6907	Mudguard, right hand	1
14	6909	Centre body	1
15	6822	Mudguard, left hand	1
16	6906	Dust shield	2
17	4949	Grass deflector	1
18	6642	Seat base	1
19	6821	Fan guard	1
20	6885	Plate, by-pass valve	1
21	6905	Support, grass deflector	1
22	6884	Axle clamp (52mm dia.)	2
23	6866	Support bracket, rear	2
24	6800	Fan	1
25	6882	Support bracket, front	2
26	6893	Support arm	1
27	6913	Pulley, Hydrostatic drive	1
28	1104	Key	1
29	6887	Belt, Transmission drive	1
	6941	Belt, Transmission drive	1
30	6916	Cable operating (By-pass valve)	1
31	6917	Nipple, solderless	2
32	6805	PTO Shaft	1
33	4245	Spacer, PTO bearing	1
34	4818	Housing, PTO bearing	1

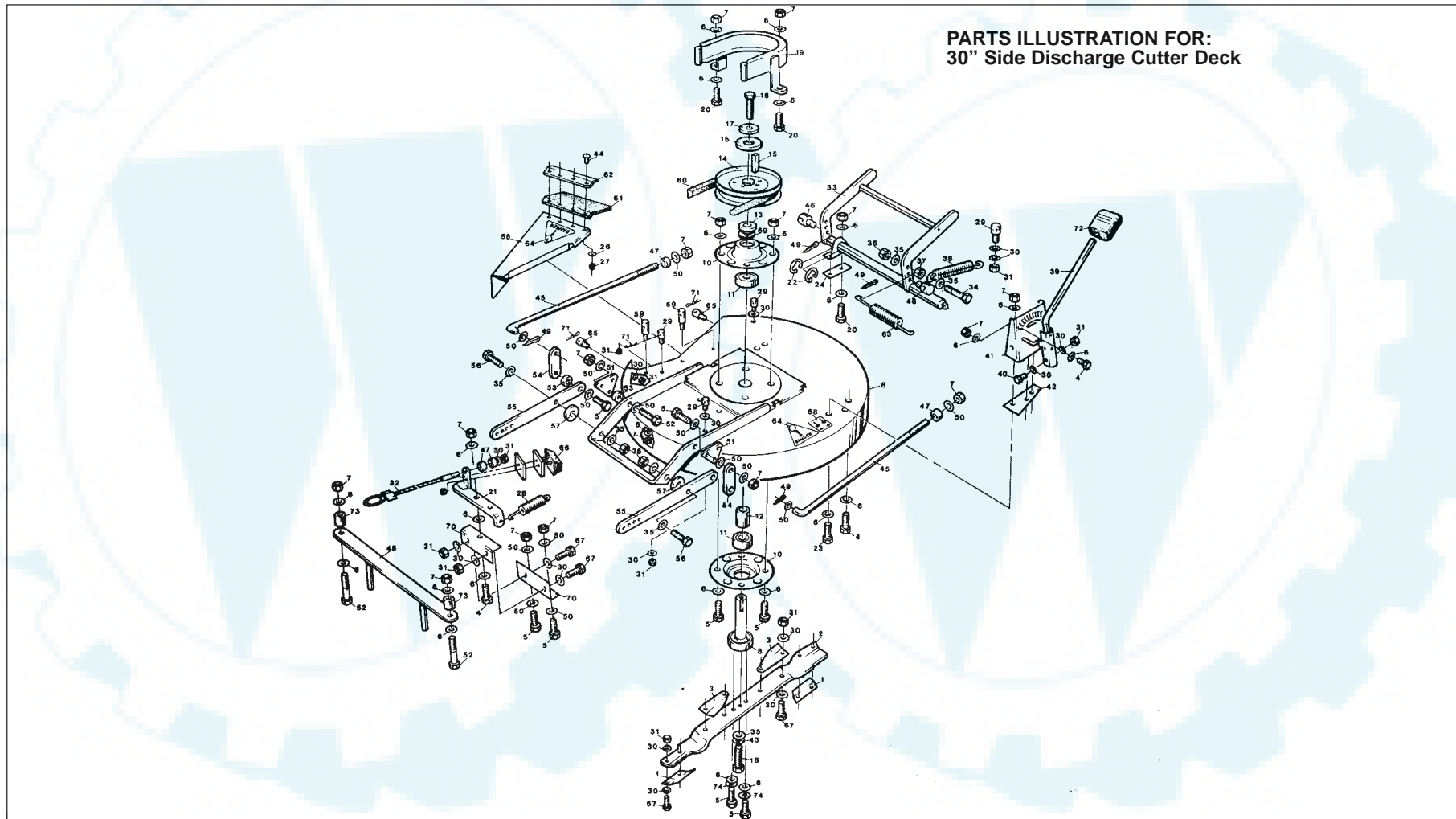
Item	Part No	Description	Qty
35	6452	Bush, PTO plate	2
36	2786	Jockey plate	1
37	2847	Washer, jockey pulley	8
38	5822	Jockey pulley	3
39	5478	Bush, jockey pulley	3
40	1558	Pulley, cutter drive	1
41	6871	Engine pulley block	1
42	1745	Pulley plates	2
43	6870	Pulley block, upper	1
44	6888	Belt, PTO Drive	1
45	6815	PTO pulley	1
46	6878	PTO Jockey plate	1
47	6487	Ball joint	5
48	6919	Brake rod	1
49	6920	Parking brake rod	1
50	6921	Bracket, brake shaft support	1
51	6873	Shaft, brake pedal	1
52	6875	Shaft, foot pedal	1
53	6861	Foot pedal assembly	3
54	1567	Foot pedal rubber	3
55	6872	Brake arm	1
56	6397	Transfer link	1
57	3539	Bush, Nylon	5
58	2589	"E" Clip	6
59	6869	Bracket, foot pedal shaft	4
60	6867	Rod, neutral and drive	2
61	6914	Rod guide	1
62	6865	Quadrant, neutral	1
63	6880	Rod, drive	1
64	6820	Spacer, wheel	2
65	6862	Boss, neutral quadrant	1
66	6876	Rod guide, short	1
67	6879	Boss, jockey plate	1
68	6886	Spacer, By-pass valve plate	1
69	6183	Exhaust (12 1/2 HP Kohler only)	1

Item	Part No	Description	Qty
70	4850	Bracket, exhaust mounting	1
71	6615	Heat shield, exhaust	1
72	6896	Gear arm	1
73	6918	Bracket, reservoir support	1
74	6954	Adaptor, reservoir hose	1
75	6892	Hose, 13mm (early models)	1
	6977	Hose assembly (later models)	1
76	6798	Hydrostatic drive assembly axle	1
	6826	Hydrostatic drive pump unit	1
77	6801	Reservoir assembly	1
78	6890	Hose Adaptor (male)	1
79	6889	Hose adaptor (female)	1
80	6937	Hose clip	2
81	1664	Key, 3/16" square x 2" long	2
82	3841	Key, 1/4" square x 3/4" long	2
83	4337	Pulley, PTO drive	1
84	6970	Jockey pulley assembly	2
85	6804	Lever, PTO operating	1
86	6646	Bar, seat base	1
87	6617	Plate, PTO base	1
88	6662	Belt guide	1
89	3748	Spacer	1
90	6904	Locking plate, PTO lever	1
91	1180	Bearing, 6205-2RS	2
92	2898	Seat spring	2
93	5477	Belt guide	3
94	1006	Washer, hardened domed	1
95	1818	Cable clip	1
96	4308	Washer	1
97	6394	Bracket, switch support	2
98	3618	Washer	2
99	1970	Washer, 5/16"	1
100	3613	Washer, 5/16" T5 HP	27
101	1978	Bolt, 5/16" UNF x 2 1/2" long	6
102	3396	Bolt, 1/4" UNF x 2 1/2" long	1



## PARTS LIST FOR: Hydrostatic Drive Models T1250H/T1800H

Item	Part No	Description	Qty	Item	Part No	Description	Qty	Item	Part No	Description	Qty
103	1270	Nut, 1/4" UNF Nyloc	18	138	1933	Setscrew, 5/16" UNF x 3" long	3				
104	1273	Nut, 5/16" UNF Nyloc	49	139	1053	Nut, 2BA Nyloc	16				
105	2040	Nut, 5/16" plain	2	140	1735	Machine screw, 2BA x 3/4" long	8				
106	1051	Setscrew, 3/8" UNF x 1" Nyloc	1	141	1734	Machine screw, 2BA x 1" long	6				
107	2050	Roll pin, 1/8" x 7/8" long	1	142	3324	Rubber flap	1				
108	3541	Bush, nylon	2	143	6863	Nut, 9/16" UNF plain	1				
109	6926	Spring	1	144	6903	Stud	1				
110	2031	Setscrew, 5/16" UNF x 1" long	8	145	2015	Setscrew, 3/8" UNF x 1" long	4				
111	4718	Lever plate	1	146	2649	Knob	1				
112	2103	Spring	4	147	2648	Knob	2				
113	4808	Washer	2	148	1156	Setscrew, 1/4" UNF x 3/4" long	13				
114	3635	Washer	1	149	1331	Washer, 1/4" dia. T3L	36				
115	3516	Hinge pillar	3	150	6808	Jockey plate	1				
116	6947	Switch, seat safety	1	151	6811	Jockey arm	1				
117	1319	Bolt, 3/8" UNF x 2" long	4	152	6818	PTO rod	1				
118	1324	Nut, 3/8" UNF Nyloc	29	153	6817	Swivel	1				
119	3792	Nut, 3/8" UNF locking	12	154	5735	Belt guide	1				
120	3755	Bolt, 7/16" UNF x 3 1/2" long	1								
121	3414	Switch, brake safety	2								
122	5431	Bonnet catch	1								
123	2003	Spring	1								
124	1613	Spring	1								
125	1323	Washer, 3/8" T3LP	36								
126	3146	Spacer, engage lever	1								
127	1105	Washer, 5/16" T3LP	83								
128	1948	Setscrew, 3/8" UNF x 1 1/4" long	5								
129	1982	Setscrew, 5/16" UNF x 3/4" long	39								
130	6535	Washer	4								
131	2048	Washer, 5/16" dia. Shakeproof	5								
132	3683	Spacer	7								
133	2592	Chain links	2								
134	2594	Spring	2								
135	1233	Split pin, 1/8" x 1" long	5								
136	1067	Washer, 4BA	5								
137	6925	Spring	1								



**PARTS ILLUSTRATION FOR:  
30" Side Discharge Cutter Deck**

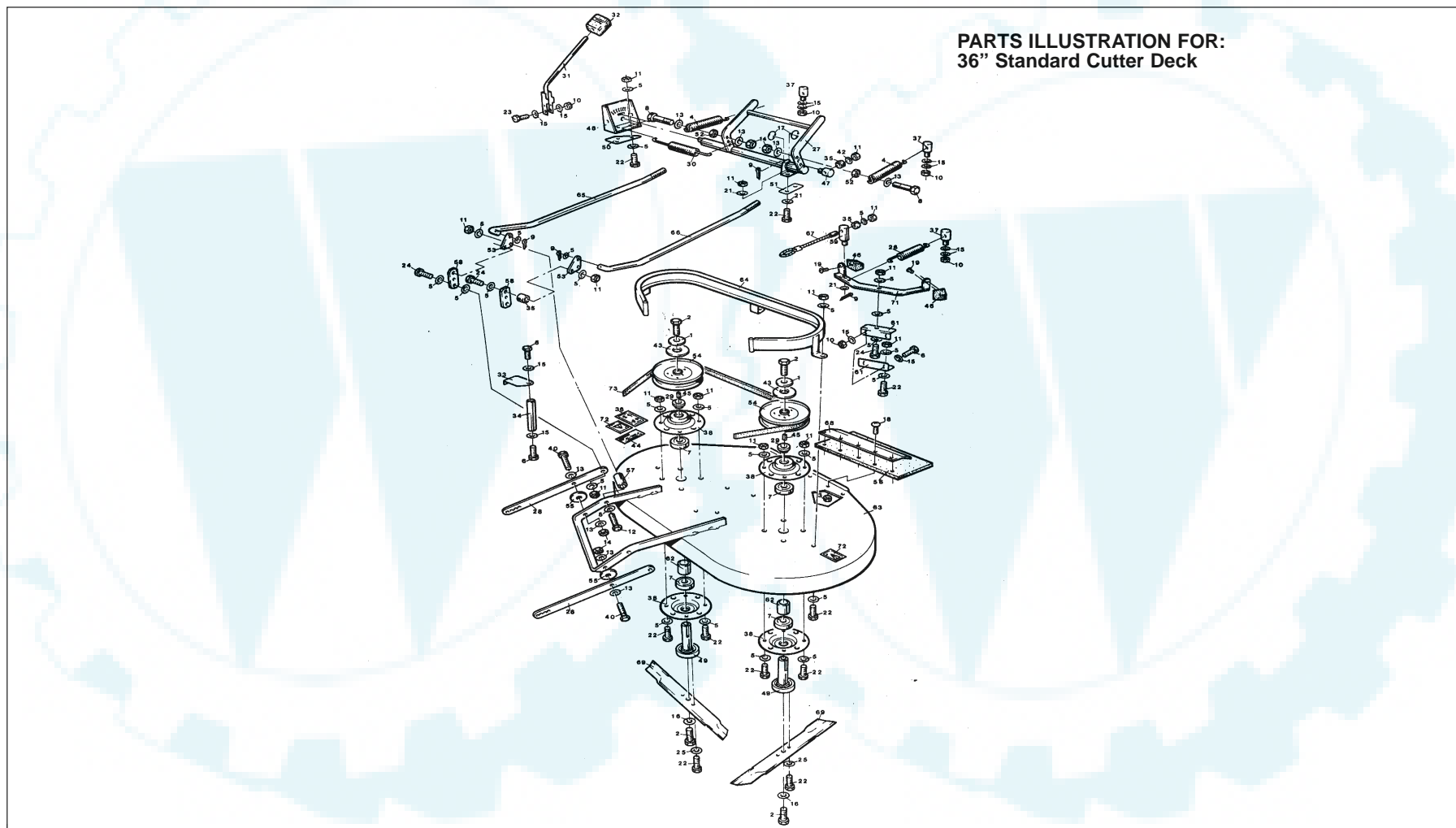


## PARTS LIST FOR: 30" Side Discharge Cutter Deck

Item	Part No	Description	Qty
1	4314	Blade extension, small	2
2	5453	Cutter blade	1
	6093	Reinforcing strip	1
3	4317	Blade extension, large	2
4	2031	Setscrew, 5/16" UNF x 1"	18
5	1982	Setscrew, 5/16" UNF x 3/4"	4
6	1970	Washer, 5/16" dia.	25
7	1273	Nut, 5/16" UNF Nyloc	28
8	3871	Deck, welded assembly	1
9	3759	Cutter shaft	1
10	3552	Bearing housing	2
11	1180	Bearing	2
12	4848	Spacer, bearing	1
13	2412	Spacer, pulley	1
14	5435	Pulley, 8" dia.	1
15	3841	Key, 1/4" square x 1"	1
16	3635	Washer	1
17	1006	Washer, spring domed	1
18	1051	Setscrew, 3/8" UNF x 1" Nyloc	2
19	2425	Pulley guard	1
20	2032	Bolt, 5/16" UNF x 1 1/4"	2
21	3737	Brake arm	1
22	1663	"E" Clip	2
23	3608	Setscrew, 5/16" UNF x 1 1/4"	2
24	3781	Spacer plate	1
25	1956	Screw, Self tapping No. 8	2
26	3329	Washer, 2BA	9
27	1053	Nut, 2BA	4
28	2103	Tension spring	1
29	3516	Pin, spring retaining	3
30	1331	Washer, 1/4" dia.	28
31	1270	Nut, 1/4" UNF Nyloc	19
32	3739	Brake cable	1
33	3884	Hanger bar	1
34	2025	Bolt, 3/8" UNF x 2 1/2"	2

Item	Part No	Description	Qty
35	1323	Washer, 3/8" dia.	8
36	1324	Nut, 3/8" UNF Nyloc	4
37	3792	Locknut, 3/8" UNF	2
38	2217	Tension spring	2
39	3881	Lever, height adjuster	1
40	2022	Bolt, 1/4" UNF x 1 1/4"	1
41	3883	Quadrant, height adjuster	1
42	2429	Reinforcing plate	1
43	1633	Washer, 3/8" Shakeproof	1
44	1735	Machine screw 2BA x 3/4"	4
45	3734	Hitch rod	2
46	3740	Pivot, hitch rod	2
47	3397	Spacer	1
48	3746	Belt guide	1
49	1233	Split pin, 1/8" dia. x 1"	4
50	1105	Washer, 5/16" dia.	34
51	3907	Link plate	2
52	1321	Bolt, 5/16" UNF x 1 1/2"	2
53	3691	Bush	2
54	3760	Link plate	2
55	2420	Hitch bar	2
56	3610	Setscrew, 3/8" UNF x 1 1/2"	2
57	4124	Washer, 3/8" dia.	2
58	3999	Cutter guard	1
59	3995	Hinge pillar	2
60	1767	Drive belt	1
61	3905	Rubber flap	1
62	3903	Retaining plate	1
63	2595	Tension spring	1
64	4968	Warning label	2
65	3902	Retaining pin	3
66	3730	Brake block	1
67	1156	Setscrew, 1/4" UNF x 3/4"	8
68	3439	Label, height adjuster	1
69	3618	Washer	1

Item	Part No	Description	Qty
70	4320	Brake arm support	2
71	1225	"R" Clip	3
72	2649	Knob	1
73	4372	Spacer	2
74	2048	Washer	2



**PARTS ILLUSTRATION FOR:  
36" Standard Cutter Deck**

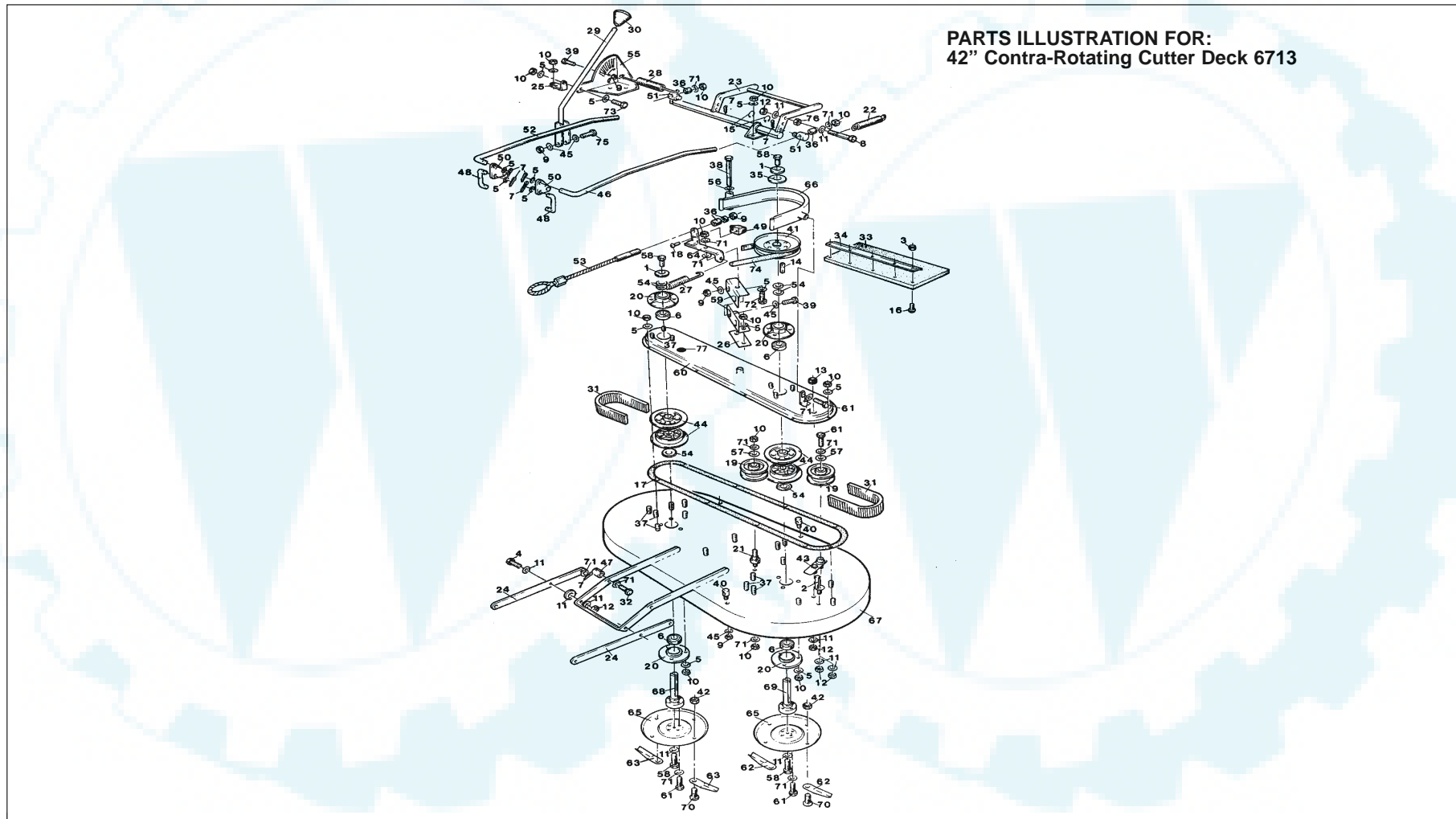


## PARTS LIST FOR: 36" Standard Cutter Deck

Item	Part No	Description	Qty
1	1006	Washer, hardened domed	2
2	1051	Setscrew, 3/8" UNF x 1"	4
3	1053	Nut, 2BA Nyloc	5
4	1076	Tension spring	2
5	1105	Washer, 5/16" dia.	40
6	1156	Setscrew, 1/4" UNF x 3/4"	4
7	1180	Bearing	4
8	2025	Bolt, 3/8 UNF x 2 3/4"	2
9	1233	Split pin, 1/8" dia. x 3/4"	5
10	1270	Nut, 1/4" UNF Nyloc	7
11	1273	Nut, 5/16" UNF Nyloc	28
12	1318	Bolt, 5/16" UNF x 2"	2
13	1323	Washer, 3/8" dia.	8
14	1324	Nut, 3/8" UNF Nyloc	4
15	1331	Washer, 1/4" dia.	13
16	1633	Washer, 3/8" Shakeproof	2
17	1663	"E" Clip	2
18	1735	Screw, 2BA x 3/4" long	5
19	1956	Screw No. 8 x 1" self tap	4
20	1962	Washer, 2BA	5
21	1970	Washer, 5/16" dia. 25	
22	1982	Setscrew, 5/16" x 3/4"	19
23	2022	Bolt, 1/4" UNF x 1 1/4"	1
24	2031	Setscrew, 5/16" x 1"	10
25	2048	Washer, 5/16" Shakeproof	4
26	2103	Tension spring	1
27	2395	Hanger bracket	1
28	2410	Hitch bar	1
29	2412	Bush, pulley	1
30	2595	Tension spring	1
31	2646	Lever, Height adjuster	1
32	2649	Knob	1
33	3294	Safety guard	1
34	3295	Post, safety guard	1
35	3397	Spacer	5

Item	Part No	Description	Qty
36	3439	Label, height adjuster	1
37	3516	Spring retainer	3
38	3552	Bearing housing	4
39		not allocated	
40	3610	Setscrew, 3/8" UNF x 1 1/2"	2
41		Not Allocated	
42	3616	Washer, 5/16" dia.	2
42	3635	Washer	2
44	4860	Label, Serial number	1
45	3841	Key, 1/4" square x 3/4"	2
46	3730	Brake block	2
47	3740	Pivot, lift rod	2
48	3753	Quadrant, height adjuster	1
49	3759	Cutter shaft	2
50	3779	Spacer plate (Quadrant)	1
51	3781	Spacer plate (Hanger bkt)	1
52	3792	Locknut, 3/8" UNF	2
53	3907	Link plate	2
54	3943	Pulley	2
55	4124	Washer, 3/8" dia.	2
56	4220	Rubber flap	1
57	4221	Bush link	2
58	4225	Link arm	2
59	4232	Pillar, brake arm	1
60		Not Allocated	
61	4320	Bridge, brake arm	2
62	4848	Spacer, bearing	2
63	4934	Cutter deck shell	1
64	4937	Guard, pullet/belt	1
65	4939	Hitch rod, LH	1
66	4940	Hitch rod, RH	1
67	4941	Brake cable	1
68	4942	Retaining strip	1
69	4943	Cutter blade	2
70		Not Allocated	

Item	Part No	Description	Qty
71	4946	Brake arm	1
72	4968	Label, hazard warning	2
73	1721	Belt (B69)	1
	2695	Belt (B71), T1600 & T1800 only)	1
74	6537	Guard plate	1
75	4098	Rivet	8
76	3329	Spacer	5



**PARTS ILLUSTRATION FOR:  
42" Contra-Rotating Cutter Deck 6713**



## PARTS LIST FOR: 42" Contra-Rotating Cutter Deck 6713

Item	Part No	Description	Qty
1	1006	Washer, hardened domed	2
2	6748	Cam shaft adjuster	1
3	1053	Nut, 2BA Nyloc	5
4	6119	Bolt, M10 x 40mm long	2
5	6122	Washer, M8	32
6	1180	Bearing	4
7	1233	Split pin, 1/8" x 3/4" long	8
8	6317	Bolt, M10 x 70mm long	2
9	1270	Nut, 1/4" UNF Nyloc	8
10	2044	Nut, M8 Nyloc	36
11	6125	Washer, M10	18
12	2761	Nut, M10 Nyloc	7
13	6744	Grommet	1
14	3841	Drive key, 1/4" square	1
15	1663	"E" Clip	2
16	1735	Screw 2BA x 3/4" pozi.	5
17	6747	Gasket	1
18	1956	Screw No. 8 x 1" self tap	2
19	6730	Tension pulley	2
20	8047	Bearing housing assy	4
21	6731	Boss, idler pulley	1
22	1076	Tension spring	2
23	6741	Hanger bracket assy	1
24	2410	Hitch bar	2
25	4876	Quadrant bracket	1
26	6735	Plate, brake arm	1
27	2594	Tension spring	1
28	2595	Tension spring	1
29	2646	Height adjuster lever	1
30	2649	Knob	1
31	6732	Tooth belt, double sided	1
32	3653	Setscrew, M8 x 40mm	2
33	3286	Rubber flap	1
34	3287	Deflector bracket	1
35	3635	Washer	1

Item	Part No	Description	Qty
36	3229	Spacer	3
37	MX623	Knurled stud	29
38	6751	Bolt, M8 x 65mm long	1
39	1156	Setscrew 1/4" UNF x 3/4"	2
40	3516	Spring retainer	3
41	3548	Pulley	1
42	3585	Nut, 12mm Nyloc	4
43	6728	Plate tension assembly	1
44	3636	Pulley toothed	2
45	1331	Washer, 1/4" dia.	7
46	3690	Hitch rod, left hand	1
47	3691	Bush, link	2
48	3694	Hitch link, bent	2
49	3730	Brake block	1
50	3735	Link plate	2
51	3740	Pivot, lift rod	2
52	6743	Hitch rod, right hand	1
53	3783	Brake cable	1
54	3618	Washer, 23 x 35 x 4mm	8
55	3794	Plate, height adjuster	1
56	2048	Washer, 5/16" s/proof	1
57	1666	Washer, 10mm x 40mm	2
58	6117	Setscrew, M10 x 40mm	8
59	4320	Bridge, brake arm	2
60	6737	Belt case	1
61	5849	Setscrew, M8 x 20mm Nyloc	11
62	6897	Blade swing, left hand	2
63	6898	Blade swing, right hand	2
64	4875	Brake arm	1
65	6719	Blade dish	2
66	6739	Guard, drive pulley	1
67	6717	Cutter deck	1
68	6722	Cutter shaft, short	1
69	6724	Cutter shaft, long	1
70	4885	Pivot bolt, (AIS 14042)	4

Item	Part No	Description	Qty
71	6123	Washer, M8 (Form C)	19
72	4111	Setscrew, M8 x 25mm	1
73	2764	Setscrew, M8 x 20mm	1
74	2226	"V" Belt	1
	2624	"V" Belt (D1200 diesel model only)	1
75	2022	Setscrew, 1/4" UNF x 1 1/4"	1
76	6116	Nut, M10 plain	2
77	6966	Inspection cap	1
		Items not illustrated	
	4968	Label, hazard warning	2
	3439	Label, height adjuster	1